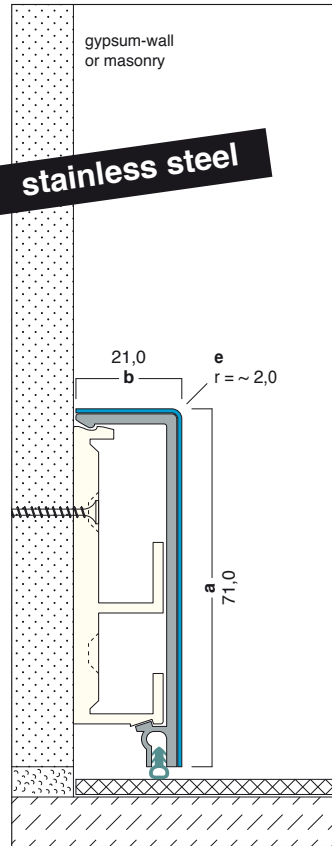
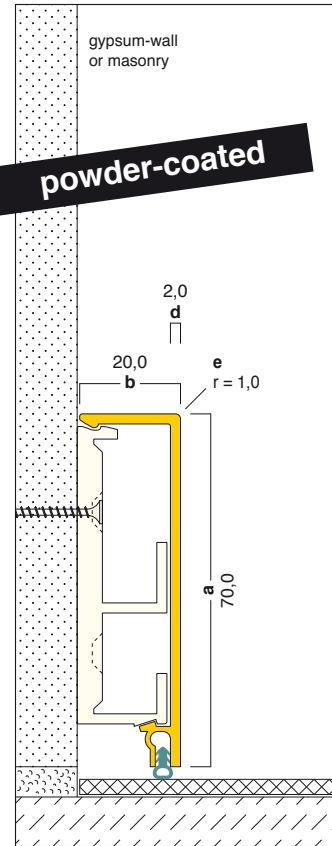


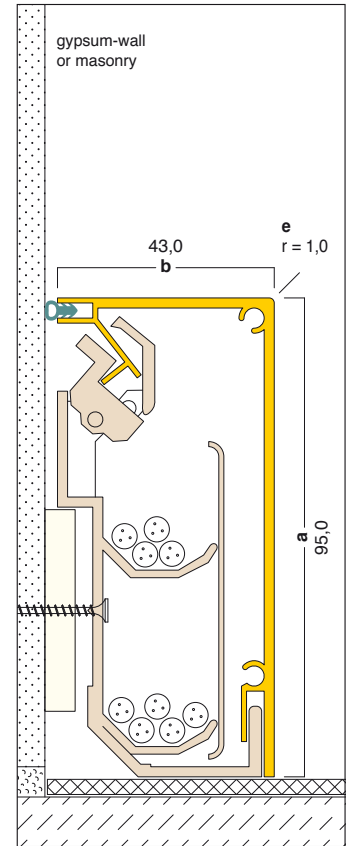
K1/D31
70,0 x 20,0 mm



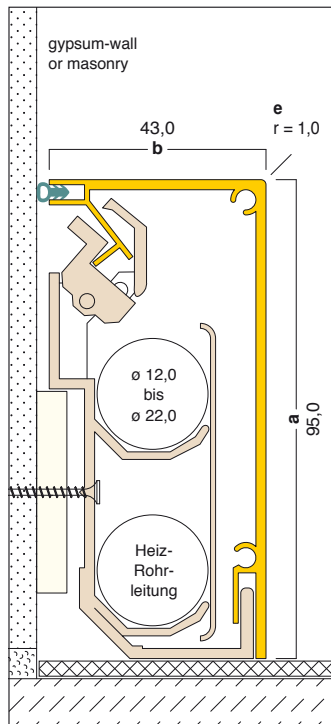
K1-E/D31
70,0 x 20,0 mm



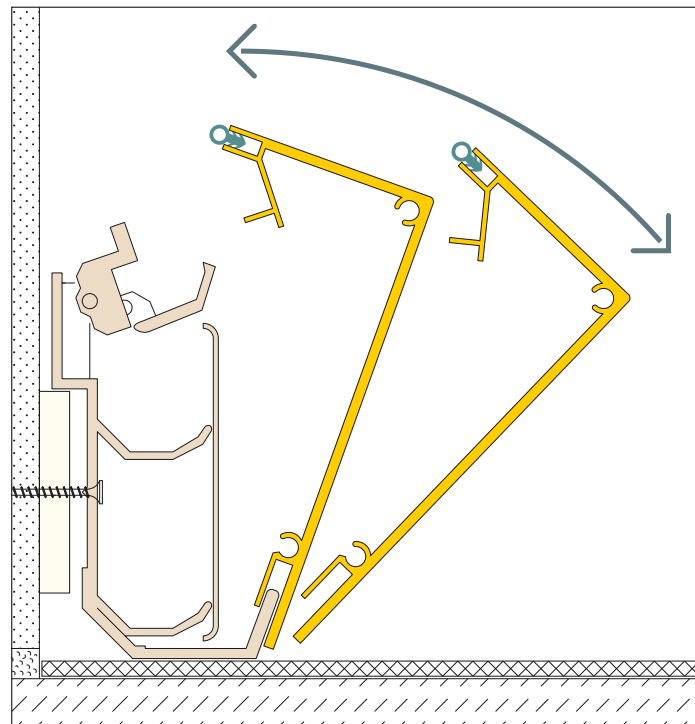
K1-F/D31
70,0 x 20,0 mm



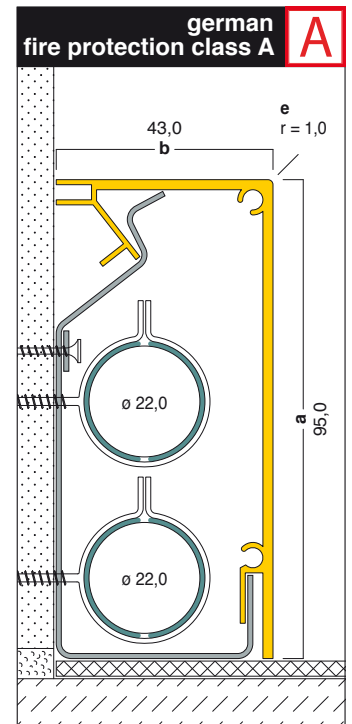
K2-F/D31
95,0 x 43,0 mm



K2-F/D31
95,0 x 43,0 mm



profiles K1, K2 and K3 are available in aluminum, stainless steel or powder-coated!



K3-F
95,0 x 43,0 mm