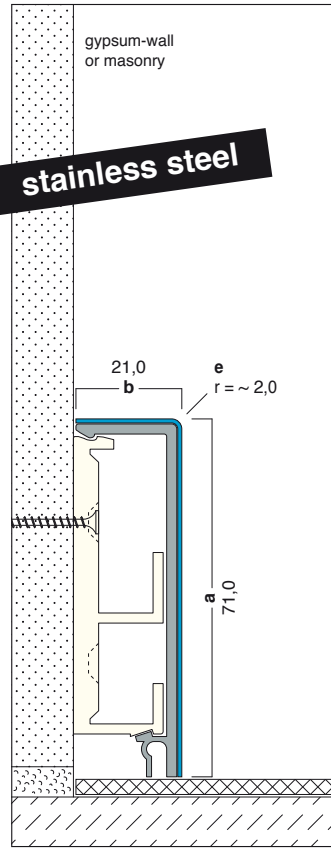
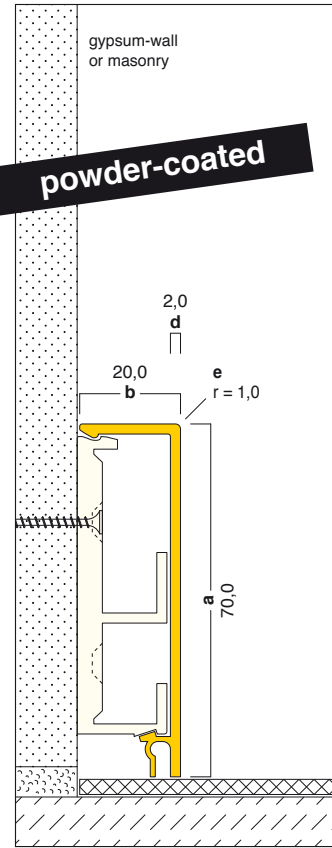


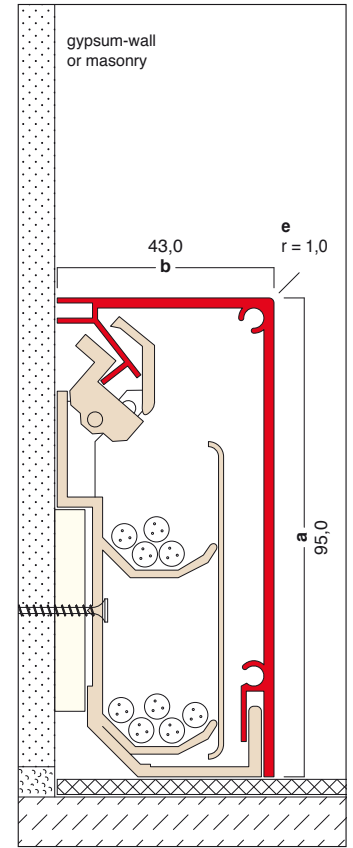
K1
70,0 x 20,0 mm



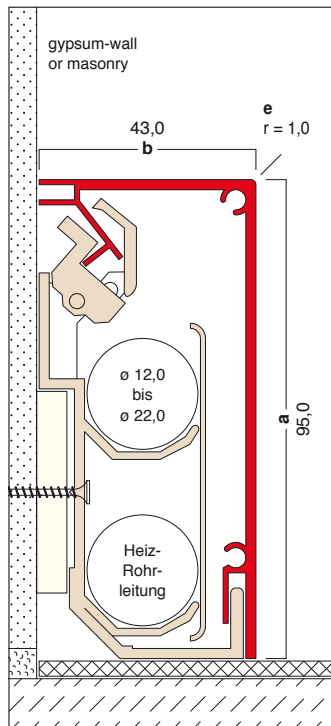
K1-E
70,0 x 20,0 mm



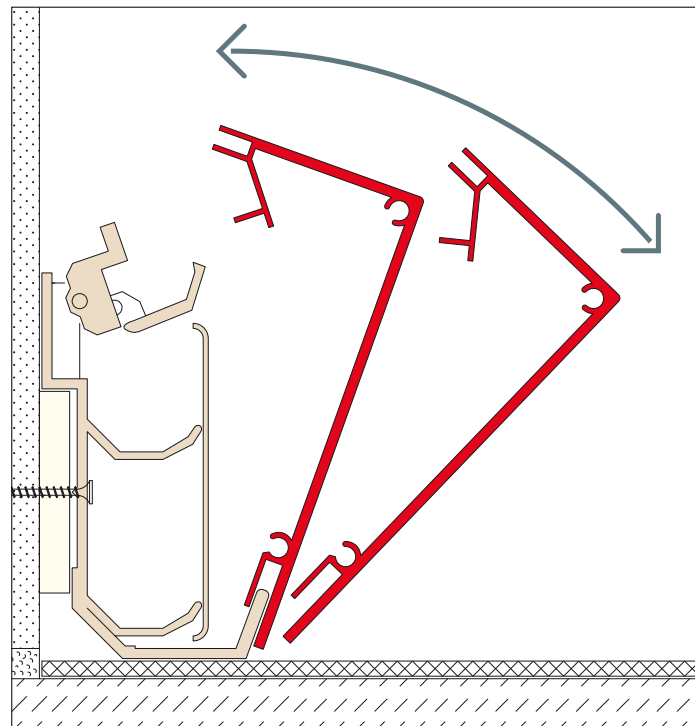
K1-F
70,0 x 20,0 mm



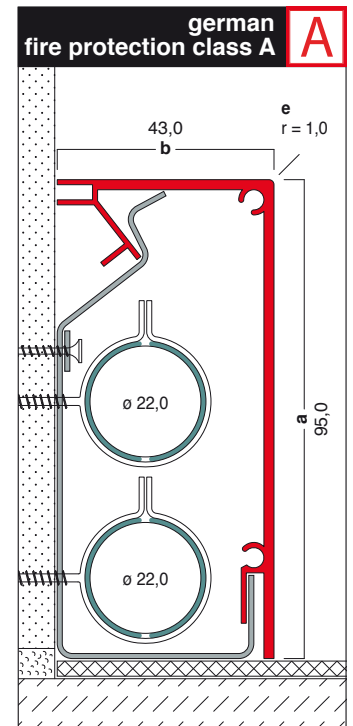
K2
95,0 x 43,0 mm



K2
95,0 x 43,0 mm



profiles K1, K2 and K3 are available in aluminium, stainless steel or powder-coated!



K3
95,0 x 43,0 mm